

# 2MP 38x Starlight IR Network PTZ Dome Camera

IPC6852SR-X38UG



## Key Features

### Optics

- Starlight illumination
- Accurate and fast focusing
- Smart IR, up to 250 m (820ft) IR distance
- Optical glass window with higher light transmittance
- IR anti-reflection window to increase the infrared transmittance

### Compression

- Ultra 265, H.265, H.264, MJPEG
- Embedded smart algorithm
- Triple streams
- Customized OSD

### Network

- ONVIF Conformance
- Optional network interfaces with Ethernet RJ45 and optical SFP

## Structure

- Innovative snow-removing functionality
- More effective heat dissipation system
- Intelligent temperature control technology
- IP66

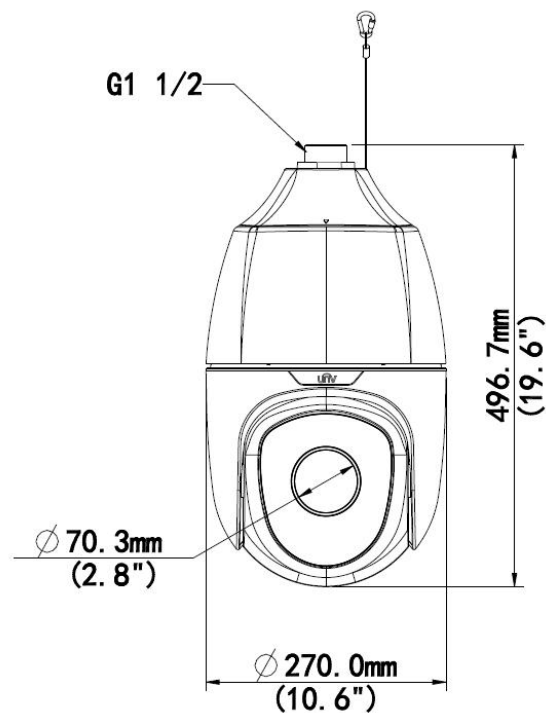
## Specifications

| IPC6852SR-X38UG         |   |           |            |              |              |             |       |      |      |      |     |         |        |        |       |       |
|-------------------------|---|-----------|------------|--------------|--------------|-------------|-------|------|------|------|-----|---------|--------|--------|-------|-------|
| <b>Camera</b>           |   |           |            |              |              |             |       |      |      |      |     |         |        |        |       |       |
| Sensor                  | 1/1.8", progressive scan, 2.0megapixel, CMOS  |           |            |              |              |             |       |      |      |      |     |         |        |        |       |       |
| Lens                    | 5.7 ~ 216.6 mm, AF automatic focusing and motorized zoom lens   |           |            |              |              |             |       |      |      |      |     |         |        |        |       |       |
| Digital Zoom            | 16  |           |            |              |              |             |       |      |      |      |     |         |        |        |       |       |
| Optical Zoom            | 38  |           |            |              |              |             |       |      |      |      |     |         |        |        |       |       |
| DORI Distance           | <table border="1"> <thead> <tr> <th>Lens</th> <th>Detect(m)</th> <th>Observe(m)</th> <th>Recognize(m)</th> <th>Identify(m)</th> </tr> </thead> <tbody> <tr> <td>5.7mm</td> <td>68.4</td> <td>27.4</td> <td>17.7</td> <td>6.8</td> </tr> <tr> <td>216.6mm</td> <td>2599.2</td> <td>1039.7</td> <td>519.8</td> <td>259.9</td> </tr> </tbody> </table> | Lens      | Detect(m)  | Observe(m)   | Recognize(m) | Identify(m) | 5.7mm | 68.4 | 27.4 | 17.7 | 6.8 | 216.6mm | 2599.2 | 1039.7 | 519.8 | 259.9 |
|                         | Lens  | Detect(m) | Observe(m) | Recognize(m) | Identify(m)  |             |       |      |      |      |     |         |        |        |       |       |
|                         | 5.7mm   | 68.4      | 27.4       | 17.7         | 6.8          |             |       |      |      |      |     |         |        |        |       |       |
| 216.6mm                 | 2599.2  | 1039.7    | 519.8      | 259.9        |              |             |       |      |      |      |     |         |        |        |       |       |
| Angle of View (H)       | 58.4°~2.1°  |           |            |              |              |             |       |      |      |      |     |         |        |        |       |       |
| Angle of View (V)       | 42.6°~1.3°  |           |            |              |              |             |       |      |      |      |     |         |        |        |       |       |
| Angle of View (O)       | 71.8°~2.4°  |           |            |              |              |             |       |      |      |      |     |         |        |        |       |       |
| Shutter                 | Auto/Manual; shutter time: 1 ~ 1/100000 s   |           |            |              |              |             |       |      |      |      |     |         |        |        |       |       |
| Minimum Illumination    | Colour: 0.001Lux (F1.5, AGC ON)<br>0 Lux with IR  |           |            |              |              |             |       |      |      |      |     |         |        |        |       |       |
| Iris                    | Auto/Manual; F1.5 ~ F4.5  |           |            |              |              |             |       |      |      |      |     |         |        |        |       |       |
| Day/Night               | IR-cut filter with auto switch (ICR)  |           |            |              |              |             |       |      |      |      |     |         |        |        |       |       |
| Digital noise reduction | 2D/3D DNR   |           |            |              |              |             |       |      |      |      |     |         |        |        |       |       |
| S/N                     | >52dB   |           |            |              |              |             |       |      |      |      |     |         |        |        |       |       |
| IR Range                | UP to 250m (820ft)  |           |            |              |              |             |       |      |      |      |     |         |        |        |       |       |
| Defog                   | Optical Defog & Digital Defog   |           |            |              |              |             |       |      |      |      |     |         |        |        |       |       |
| WDR                     | 120dB   |           |            |              |              |             |       |      |      |      |     |         |        |        |       |       |
| <b>Video</b>            |   |           |            |              |              |             |       |      |      |      |     |         |        |        |       |       |
| Video Compression       | Ultra 265,H.265, H.264, MJPEG   |           |            |              |              |             |       |      |      |      |     |         |        |        |       |       |
| H.264 code profile      | Baseline profile, Main Profile, High Profile  |           |            |              |              |             |       |      |      |      |     |         |        |        |       |       |
| Frame Rate              | Main Stream:2MP (1920×1080):Max. 60 fps;<br>Sub Stream:2MP (1920×1080):Max. 60 fps;<br>Third Stream: D1 (720×576): Max. 60 fps  |           |            |              |              |             |       |      |      |      |     |         |        |        |       |       |
| HLC                     | Supported   |           |            |              |              |             |       |      |      |      |     |         |        |        |       |       |
| BLC                     | Supported   |           |            |              |              |             |       |      |      |      |     |         |        |        |       |       |
| EIS                     | Supported   |           |            |              |              |             |       |      |      |      |     |         |        |        |       |       |
| OSD                     | Up to 8 OSDs  |           |            |              |              |             |       |      |      |      |     |         |        |        |       |       |
| Privacy Mask            | Up to 24 areas  |           |            |              |              |             |       |      |      |      |     |         |        |        |       |       |

|                            |  |
|----------------------------|--|
| ROI                        | Up to 8 areas  |
| Motion Detection           | Up to 4 areas  |
| <b>Smart</b>               |  |
| Behavior Detection         | Intrusion, cross line, motion detection, Auto tracking   |
| Intrusion                  | Enter and loiter in a pre-defined virtual region   |
| cross line                 | Cross a pre-defined virtual line   |
| motion detection           | Moving within a pre-defined virtual region   |
| auto tracking              | Tracking the specified target  |
| Recognition                | Face detection、Audio detection   |
| Intelligent Identification | Defocus, Scene Change, Object Left, Object Moving  |
| Statistical Analysis       | People counting  |
| General Function           | Watermark, IP Address Filtering, Tampering Alarm, Alarm input, Alarm output, Access Policy, ARP Protection, RTSP Authentication, User Authentication |
| <b>Audio</b>               |  |
| Audio Compression          | G.711  |
| Two-way audio              | Supported  |
| Suppression                | Supported  |
| Sampling Rate              | 8 KHZ  |
| <b>Storage</b>             |  |
| Edge Storage               | Micro SD, up to 256 GB   |
| Network Storage            | ANR  |
| <b>Network</b>             |  |
| Protocols                  | IPv4, IGMP, ICMP, ARP, TCP, UDP, DHCP, PPPoE, RTP, RTSP, RTCP, DNS, DDNS, NTP, FTP, UPnP, HTTP, HTTPS, SMTP, 802.1x, SNMP                            |
| Compatible Integration     | ONVIF(Profile S, Profile G, Profile T),API   |
| <b>Pan &amp; Tilt</b>      |  |
| Pan Range                  | 360° (endless)   |
| Pan Speed                  | 0.1°/s ~ 240°/s  |
|                            | Preset speed: 300°/s   |
| Tilt Range                 | -20° ~ +90° (auto reverse)   |
| Tilt Speed                 | 0.1° ~ 160°/s  |
|                            | Preset speed: 240°/s   |
| Number of Presets          | 1024   |
| Patrol                     | Preset patrol, route patrol, recorded patrol   |
| Home Position              | Supported  |
| <b>Interface</b>           |  |
| Audio I/O                  | Audio cable  |
|                            | Input: impedance 35 kΩ; amplitude 2 V [p-p]  |
|                            | Output: impedance 600 Ω; amplitude 2 V [p-p]   |
| Alarm I/O                  | 2 / 1  |
| Serial Port                | 1 RS485  |
| Network                    | 1 RJ4510M/100M/1000M Base-TX Ethernet SFPBase-TX Ethernet  |
| Video Output               | 1 BNC, impedance 75 Ω; amplitude 1 V [p-p]   |

| General                       |   |
|-------------------------------|---|
| Power                         | 24 V AC (Default) $\pm 25\%$ , 24 V DC $\pm 25\%$   |
|                               | Power consumption: 16~51W   |
| Dimensions( $\Phi \times H$ ) | $\Phi 270 \times 496.7\text{mm}$ ( $\Phi 10.6'' \times 19.6''$ )  |
| Weight                        | 9.69 kg (21.4 lb)   |
| Working Environment           | $-40^{\circ}\text{C} \sim +70^{\circ}\text{C}$ ( $-40^{\circ}\text{F} \sim 158^{\circ}\text{F}$ ), Humidity: 10%~90% RH(non-condensing) |
| Ingress Protection            | IP66  |
| Reset Button                  | Supported   |

## Dimensions



### Zhejiang Uniview Technologies Co., Ltd.

Building No.10, Wanlun Science Park, Jiangling Road 88, Binjiang District, Hangzhou, Zhejiang, China (310051)

Email: [overseasbusiness@uniview.com](mailto:overseasbusiness@uniview.com); [globalsupport@uniview.com](mailto:globalsupport@uniview.com)

<http://www.uniview.com>

©2018Zhejiang Uniview Technologies Co., Ltd. All rights reserved.

\*Product specifications and availability are subject to change without notice.