

# 2MP 22x Starlight WDR Network IR Bullet Camera

IPC252ERA-X22DUP



## Key Features

### Optics

- Starlight illumination
- Accurate and fast focusing
- Smart IR, up to 200m (656ft) IR distance
- Up to 120dB WDR (Wide Dynamic Range)
- Auto day/night functionality
- Optical glass window with higher light transmittance
- IR anti-reflection window to increase the infrared transmittance

### Compression

- Ultra 265, H.265, H.264, MJPEG
- Triple Streams
- ROI (Region of Interest)
- 9:16 corridor format
- Customized OSD

### Network

- ONVIF Conformance

## Structure

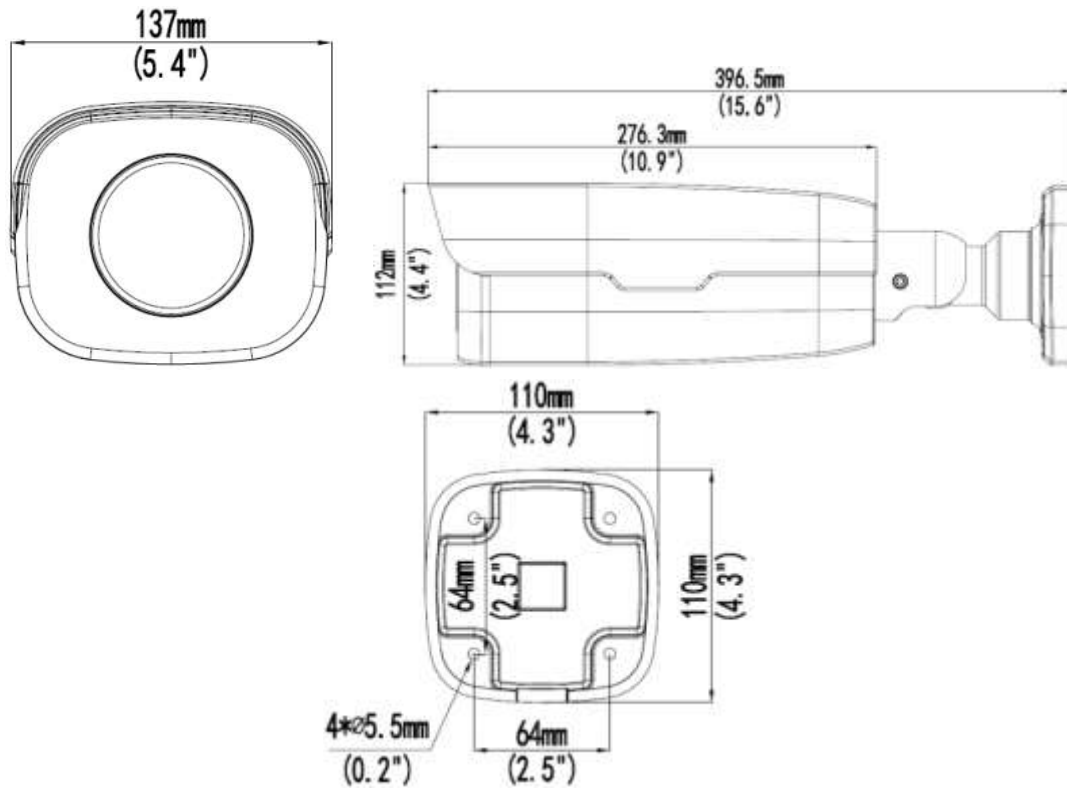
- Wide temperature range: -40°C ~ 60°C (-40°F ~ 140°F)
- Wide voltage range of ±25%
- IP67
- 3-Axis

## Specifications

IPC252ERA-X22DUP																
<b>Camera</b>																
Sensor	1/1.8", 2.0 megapixel, progressive scan, CMOS															
Lens	6.5 ~ 143mm, AF automatic focusing and motorized zoom lens															
Optical Zoom	22															
DORI Distance	<table border="1"> <thead> <tr> <th>Lens (mm)</th> <th>Detect (m)</th> <th>Observe (m)</th> <th>Recognize (m)</th> <th>Identify (m)</th> </tr> </thead> <tbody> <tr> <td>6.5</td> <td>78</td> <td>31.2</td> <td>15.6</td> <td>7.8</td> </tr> <tr> <td>143</td> <td>1716</td> <td>686.4</td> <td>343.2</td> <td>171.6</td> </tr> </tbody> </table>	Lens (mm)	Detect (m)	Observe (m)	Recognize (m)	Identify (m)	6.5	78	31.2	15.6	7.8	143	1716	686.4	343.2	171.6
	Lens (mm)	Detect (m)	Observe (m)	Recognize (m)	Identify (m)											
	6.5	78	31.2	15.6	7.8											
143	1716	686.4	343.2	171.6												
Angle of view (H)	59° ~ 3°															
Angle of View (V)	34.6° ~ 1.6°															
Angle of View (O)	72.6° ~ 3.6°															
Adjustment angle	<table border="1"> <tr> <td>Pan: 0° ~ 360°</td> <td>Tilt: 0° ~ 90°</td> <td>Rotate: 0° ~ 360°</td> </tr> </table>	Pan: 0° ~ 360°	Tilt: 0° ~ 90°	Rotate: 0° ~ 360°												
Pan: 0° ~ 360°	Tilt: 0° ~ 90°	Rotate: 0° ~ 360°														
Shutter	Auto/Manual, 1 ~ 1/100000s															
Minimum Illumination	Colour: 0.0005Lux (F1.5, AGC ON) 0Lux with IR															
Iris	Auto/Manual, F1.5 ~ F3.4, DC-Iris															
Day/Night	IR-cut filter with auto switch (ICR)															
Digital noise reduction	2D/3D DNR															
S/N	>52dB															
IR Range	up to 200m (656ft) IR range															
Defog	Digital Defog															
WDR	120dB															
<b>Video</b>																
Video Compression	Ultra 265, H.265, H.264, MJPEG															
H.264 code profile	Baseline profile, Main Profile, High Profile															
Frame Rate	Main Stream: 2MP (1920*1080), Max 60fps; Sub Stream: 2MP (1920*1080), Max 60fps; Third Stream: D1 (720*576), Max 60fps															
9:16 Corridor Mode	Supported															
ROI	Supported															
HLC	Supported															
BLC	Supported															
OSD	Up to 8 OSDs															

Motion Detection	Up to 4 areas
Privacy Mask	Up to 8 areas
<b>Smart</b>	
General Function	Watermark, IP Address Filtering, Tampering Alarm, Alarm input, Alarm output, Access Policy, ARP Protection, RTSP Authentication, User Authentication
<b>Audio</b>	
Audio Compression	G.711
Two-way audio	Supported
Suppression	Supported
Sampling Rate	8KHZ
<b>Storage</b>	
Edge Storage	Micro SD, up to 256GB
Network Storage	ANR
<b>Network</b>	
Protocols	IPv4, IGMP, ICMP, ARP, TCP, UDP, DHCP, PPPoE, RTP, RTSP, RTCP, DNS, DDNS, NTP, FTP, UPnP, HTTP, HTTPS, SMTP, 802.1x, SNMP, QoS
Compatible Integration	ONVIF (Profile S, Profile G, Profile T), API
<b>Interface</b>	
Audio I/O	Audio cable
	1 Input: impedance 35kΩ; amplitude 2V [p-p]
	1 Output: impedance 600Ω; amplitude 2V [p-p]
Alarm I/O	2/1
Serial Port	1 RS485
Network	1 RJ45 10M/100M Base-TX Ethernet
Video Output	1 BNC, impedance 75Ω; amplitude 1V [p-p]
<b>General</b>	
Power	AC 24V±25%, -P: PoE (IEEE 802.3at)
	Power consumption: Max 21W
Dimensions (L × W × H)	396.5 × 137 × 112mm (15.6" × 5.4" × 4.4")
Weight	3.7kg (8.2lb)
Working Environment	-40°C ~ 60°C (-40°F ~ 140°F), Humidity: ≤95% RH (non-condensing)
Ingress Protection	IP67
Reset Button	Supported

## Dimensions



**Zhejiang Uniview Technologies Co., Ltd.**

Building No.10, Wanlun Science Park, Jiangling Road 88, Binjiang District, Hangzhou, Zhejiang, China (310051)

Email: [overseasbusiness@uniview.com](mailto:overseasbusiness@uniview.com); [globalsupport@uniview.com](mailto:globalsupport@uniview.com)

<http://www.uniview.com>

©2019 Zhejiang Uniview Technologies Co., Ltd. All rights reserved.

\*Product specifications and availability are subject to change without notice.